

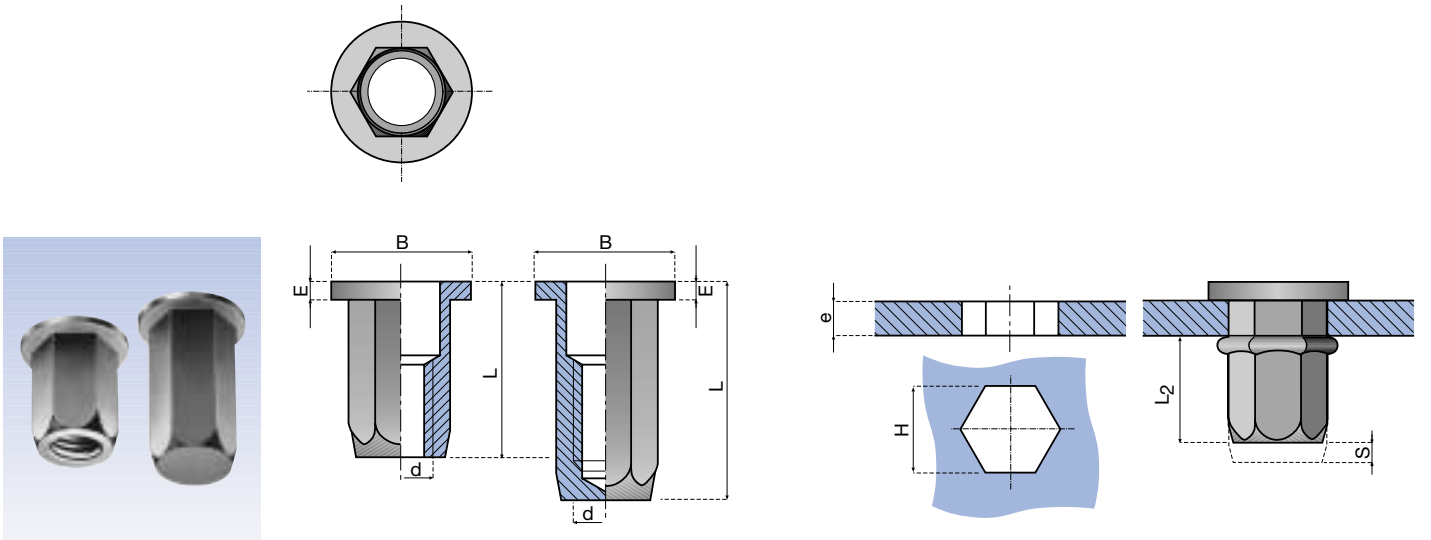
**RIVKLE® Steel blind rivet nuts/
Extending the RIVKLE® plus range**

Hexagonal body, flat head

Types 233 41 open and 233 51 closed

Advantages:

- very high turning resistance
- suitable for soft components (aluminium, plastic,...)
- high crimping force
- screw length can be varied (open end)
- splash-proof (closed end)



d	Thickness e	Hole H ^{+01/0}	B	E	S*	Open B 70 500			Closed B 70 500		
						L	L ₂ *	Product code	L	L ₂ *	Product code
M4	0.5 – 2.0	6	9	1.0	S = 3.5-e	10	5	2334 104 0020	15	10	2335 104 0020*
M5	0.5 – 3.0	7	10	1.0	S = 5-e	14	9	2334 105 0030	20	14,7	2335 105 0030
M6	0.5 – 3.0	9	13	1.5	S = 5.2-e	16	10	2334 106 0030	23	17	2335 106 0030
M8	0.5 – 3.0	11	16	1.5	S = 5.5-e	18	11	2334 108 0030	26	19	2335 108 0030
M8	3.0 – 5.5	11	16	1.5	S = 8-e	21	11	2334 108 0055	29	19	2335 108 0055
M10	1.0 – 3.5	13	19	2.0	S = 6.1-e	23	15	2334 110 0035	33	25	2335 110 0035
M12	1.0 – 4.0	16	23	2.0	S = 7.7-e	27	17	2334 112 0030	/	/	/

* Dimensions S and L₂ are indicative values. The difference in length S depends on the material thickness and is used as the setting tool stroke. dimensions in mm.

Surface treatment: 8 μ zinc plated + yellow passivated.

Other dimensions and variants can be supplied on request.

RIVKLE® plus, steel

RIVKLE® steel

RIVKLE® stainless steel

RIVKLE® aluminium

RIVKLE® blind rivet nuts,
steel

Special designs